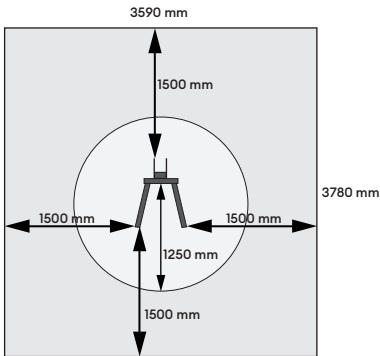
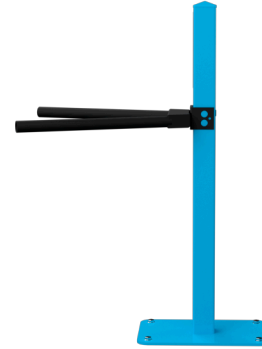
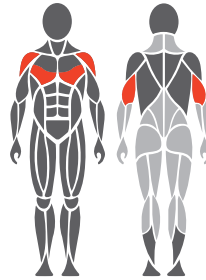


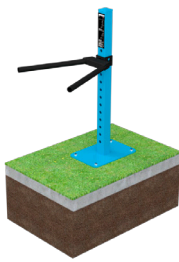
## Use and movement areas



## Target muscles



## Foundation



1. For example artificial turf or moldable safety platform max. 40 mm
2. Concrete min. 120 mm below equipments
3. Ground frost insulation, thickness based on the ground

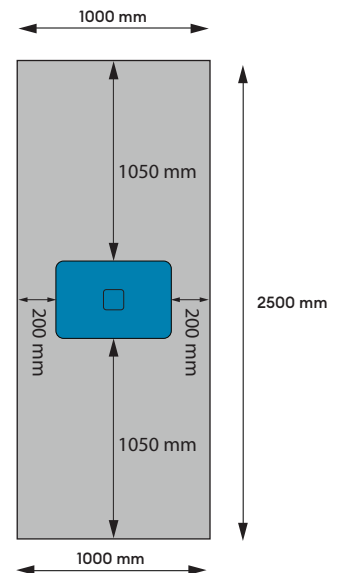
## Concrete casting and positioning

Length 2500 mm

Width 1000 mm

Thickness 120-150 mm

- Ground frost insulation
- Rebaring
- Adequate drying time must be ensured



## Product specification

Length	870 mm
Width	770 mm
Height	840 mm
Equipment weight	13 kg (equipment weight) 55 kg with mounting post
User height	+ 140 cm
Age	+ 14
Safety area	14 m <sup>2</sup>
Base	surface mounting to concrete
Standard	EN16630
Country of manufacture	Finland
Metal parts	steel
Tube strengths	4-6 mm
Coating solution	Zink and powder coating

## Details

- Effective and safe exercise equipment
- Variable grip width
- The product comes in RAL Classic colour 5012 (blue) as standard. RAL Classic colours 1017 (yellow), 3020 (red), 6018 (green) and 7036 (grey) are available at an additional cost.

## Important

Installation depth for all Omnigym® units: top surface of the concrete base on the ground level or max. -40 mm allowance for the surface material to be used. (See foundation figure)

